

THERMOSTATIC STEAM TRAPS AND AIR VENTS TSS22

DESCRIPTION

The ADCA TSS22 series of balanced pressure thermostatic steam traps and air vents are specifically designed for use on process equipment such as sterilizers and other autoclaves, kettle cookers, food, chemical and laundry equipment.

Their compact design makes them ideal when a fully stainless steel steam trap is required for air venting applications and condensate removal in small steam consumers.

MAIN FEATURES

- Modulating discharge.
- Discharges condensate close to steam temperature.
- Thermostats for different sub coolings (5 to 30 °C).
- Excellent air discharge.
- Operates with moderate superheated steam.
- Simple and compact design.

OPTIONS: Welded body.

USE: Saturated steam.

AVAILABLE MODELS: TSS22 and TSS22H – stainless steel.

SIZES: 1/4" to 1".

CONNECTIONS: Female threaded ISO 7 Rp or NPT.

INSTALLATION: In any position.
See IMI – Installation and maintenance instructions.



CE MARKING – GROUP 2 (PED – EUROPEAN DIRECTIVE)

PN 40	CATEGORY
1/4" to 1"	SEP

BODY LIMITING CONDITIONS

THREADED PN 40 ALLOWABLE PRESSURE	RELATED TEMPERATURE
34,4 bar	100 °C
30,8 bar	150 °C
28 bar	200 °C
26 bar	250 °C

PMO – Maximum operating pressure: 22 bar.

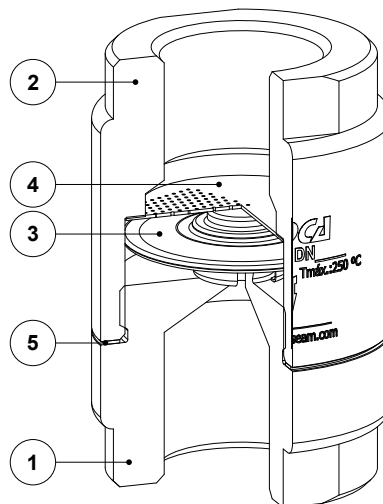
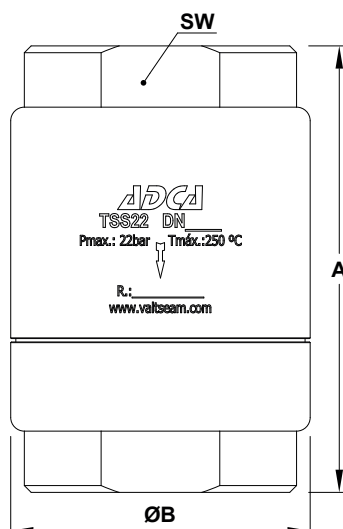
TMO – Maximum operating temperature: 250 °C.

FLOW RATE CAPACITY (kg/h)

MODEL	SIZE	DIFFERENTIAL PRESSURE (bar)														
		0,2	0,3	0,5	1	1,5	2	3	4	6	8	10	13	15	20	22
TSS22	1/4" to 1"	45	55	70	95	125	135	180	200	270	315	330	360	370	405	415
TSS22H	1/2" to 1"	70	120	140	255	330	385	455	510	600	670	700	720	750	775	795

Capacities shown refer to condensate discharge 10 °C below steam saturation temperature (standard type S thermostat).

Thermostats for 5 °C (type H) and 30 °C (type L) also available. Capacities for cold condensate discharge at 20 °C are two to three times greater.



DIMENSIONS (mm)

SIZE	A	ØB	SW	WGT. (kg)
1/4"	65	44	27	0,5
3/8"	65	44	27	0,5
1/2"	65	44	27	0,5
3/4"	65	44	36	0,5
1"	65	44	40	0,4

MATERIALS

POS. No.	DESIGNATION	MATERIAL
1	Body	AISI 304 / 1.4301
2	Cover	AISI 304 / 1.4301
3	* Thermostatic element	Stainless steel
4	* Strainer screen	AISI 304 / 1.4301
5	* Gasket	St. steel / Graphite

* Available spare parts.